



A solid foundation to build on

Years of experience in Off-Road trucks drove SCAM to design specific Cows to withstand the toughest environments.

FRAME

The backbone of SCAM trucks is the heavy duty, straight ladder-type frame with cross-members. With its double "C" channel design it's able to withstand the toughest jobs maintaining good flexibility and torsion.

Full flat top surface gives to the body-builders plenty of freedom and gives the frame extraordinary versatility in adapting many configurations and requirements.

Powder painting, cathaphoresis process ensure long lasting protection.

PERFORMANCES

Performances are of paramount importance at SCAM; extremely favorable approach and departure angles, generous ground clearance, 100% gradeability and supple parabolic leaf springs; all ensure high mobility and comfort. The wide tracked, heavy duty axles keep the SCAM planted and stable on roads as well as on steep slopes.

SUSPENSIONS

A simple, but performing, leaf spring suspension system offers unrivalled capability in carrying personnel and loads, easing field maintenance.

For enhanced stability and optimum on-road handling, all SCAM vehicles are factory fitted with both front and rear torsion bars.

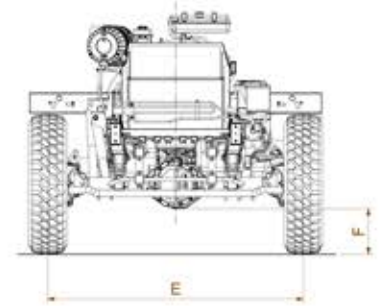
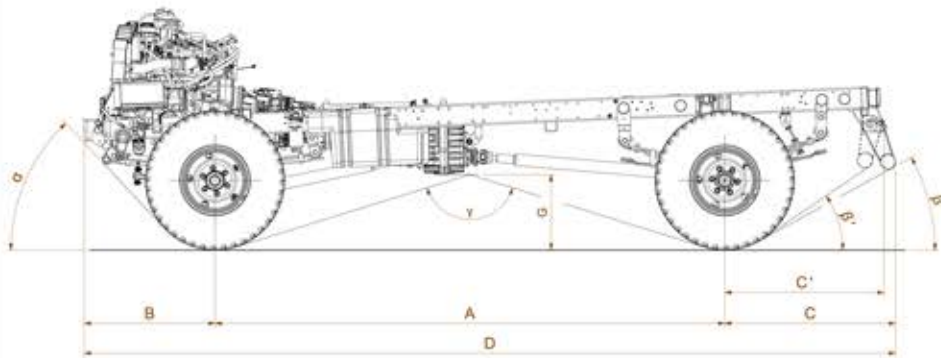
Stout, simple solid axle beams, unlike independent suspensions, allow the vehicle to keep constant ground clearance on uneven terrain, reducing the risk of hang-ups. This makes the SCAM chassis-cowl a pure workhorse.

POWERTRAIN

SCAM Chassis-Cowl is equipped with reliable engine, power take-offs and lockable differentials. These are some of the many reasons why SCAM chassis-cowl is a capable platform to build on and develop your business with.

The choice of a popular turbo diesel engine, coupled to manual six speeds gearbox, means after sale service and easily sourceable spares, even in the most remote corners of the globe.

The unique SCAM 4-speed transfer case offers 24 gears to the driver bringing uncompromised ability to crawl over the most demanding obstacles.



SCAM

S55 CHASSIS COWL

A SOLID FOUNDATION TO BUILD ON

GENERAL

Fuel tank (liter)	90
GAWR, f/r (kg)	2450-3700
Electrical system (V)	12
GVW (kg)	5500
Tyres (standard)	255/100 R16
Tyres (optional)	9,5 R 17,5
Driving	Left or Right

PERFORMANCE

	C30 ISF	C34 ISF
(α) Approach angle	46°	46°
(β) Departure angle	33°	29°
(β') Departure angle	41°	34°
(γ) Ramp Angle	141°	146°
Payload (kg)	3600	3550
Turning radius (m)	6,62	7,22
Curb weight (kg)	1900	1950
Gradeability (*)	100%	100%
Side slope (*)	35°	35°
Fording depth (mm)	660	660

(*) depending on final configuration

DIMENSIONS

	C30 ISF	C34 ISF
[A] WB (mm)	3050	3400
[B] Front Overhang (mm)	865	865
[C] Rear Overhang (mm)	990	1140
[C'] Rear Overhang (mm)	920	1070
[D] Chassis Length (mm)	4905	5405
[E] Front/Rear track (mm)	1700	1700
[F] Ground clearance (mm)	280	280
[G] Ground clearance under TC (mm)	500 (unload vehicle)	

POWERTRAIN

Make	CUMMINS
Type	TURBO DIESEL ISF 2.8 EURO 3
Max Power	150 hp - 110 kW @ 3200 RPM
Max torque	360 Nm @ 1800 RPM
Gear Box Type	ZF Manual 6+1
Transfer Type	Full 4x4 Lockable - 4 speed
Differentials	Lockable front, central and rear

SUSPENSION

Parabolic leaf springs with torsion bar. Hydraulic telescopic shock absorbers. Double flexibility rear leaf springs to enhance comfort.

IMPORTANT NOTICE: ACCORDING TO THE CONTINUOUS IMPROVEMENTS OF SCAM POLICY, ALL SPECIFICATIONS ARE SUBJECT TO CHANGE WITHOUT NOTICE.
THE PICTURES ARE FOR ILLUSTRATIVE PURPOSE ONLY

SCAM

SCAM S.r.l. - Part of Certina Group® - Via Campagna, 80 - 21056 Induno Olona (VA) - Italy
Tel: +39 0332 202861 - Fax: +39 0332 202252 - email: info@scamtrucks.it - www.scamtrucks.it

Version 02/2015