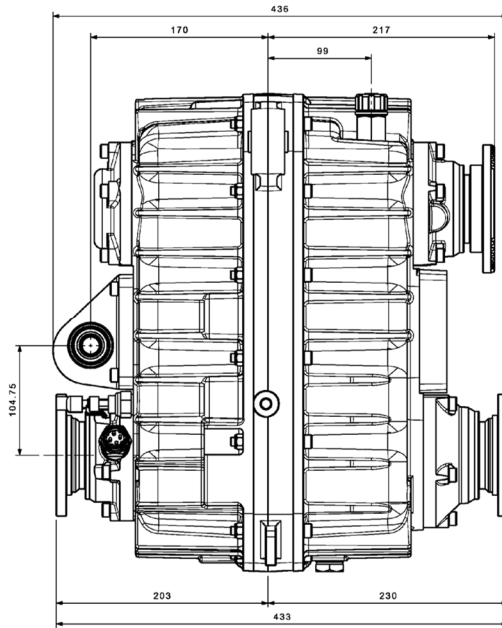
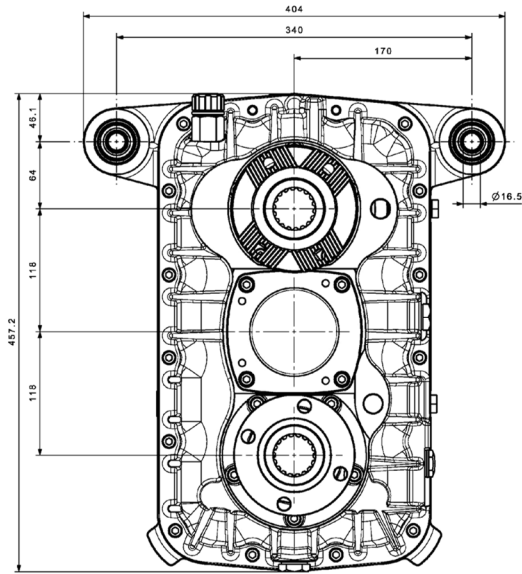


SCAM Transfer case 4 speeds



Technical Specifications

Distance between upper and lower shaft center:
236 mm

Total Ratios: 1 - 1,244 - 3,091 - 3,845

Gear Shifting Device:

- Upper: manual - non synchronized
- Lower: manual - synchronized

Input Rotation: clockwise

Lubrication: pump + splash (oil capacity 3 litres)

Max oil temperature: 120°C (oil SAE80W90)

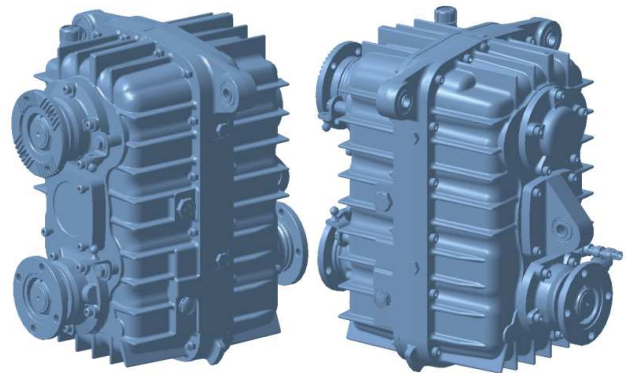
Weight (without oli): 71 kg

Input Flange: XS120 ISO8667

Front Output Flange: SAE1400 4x12,25

Output Rear Flange: SAE1400 4x12,25

Torque Distribution: Front: 32% Rear: 68%
Post.



Differential Lock: Claw Clutch

Differential Lock Engaging System: Hydraulic

Oil Pressure for Diff. Lock Engaging: 8 – 10 Bar

Others:

- Differential lock switch
- Neutral in lower shifting bar

Optional

Power Take Off: Mechanical

ISO Pump

GR2 and GR3 Pumps

Contact

SCV s.r.l – Sede legale: Via Campagna, 80 – 21056
Induno Olona (VA) ITALIA
Tel.: +39 0332 202861 - Fax: +39 0332 202252
P.IVA C.F 02227660129
www.scv.it- info@scv.it